

CASRE
EXPLODED
VIEWS
10/11/2021

Belt Drive - Curb Mounted - Up Blast Utility Set - 1 of 2

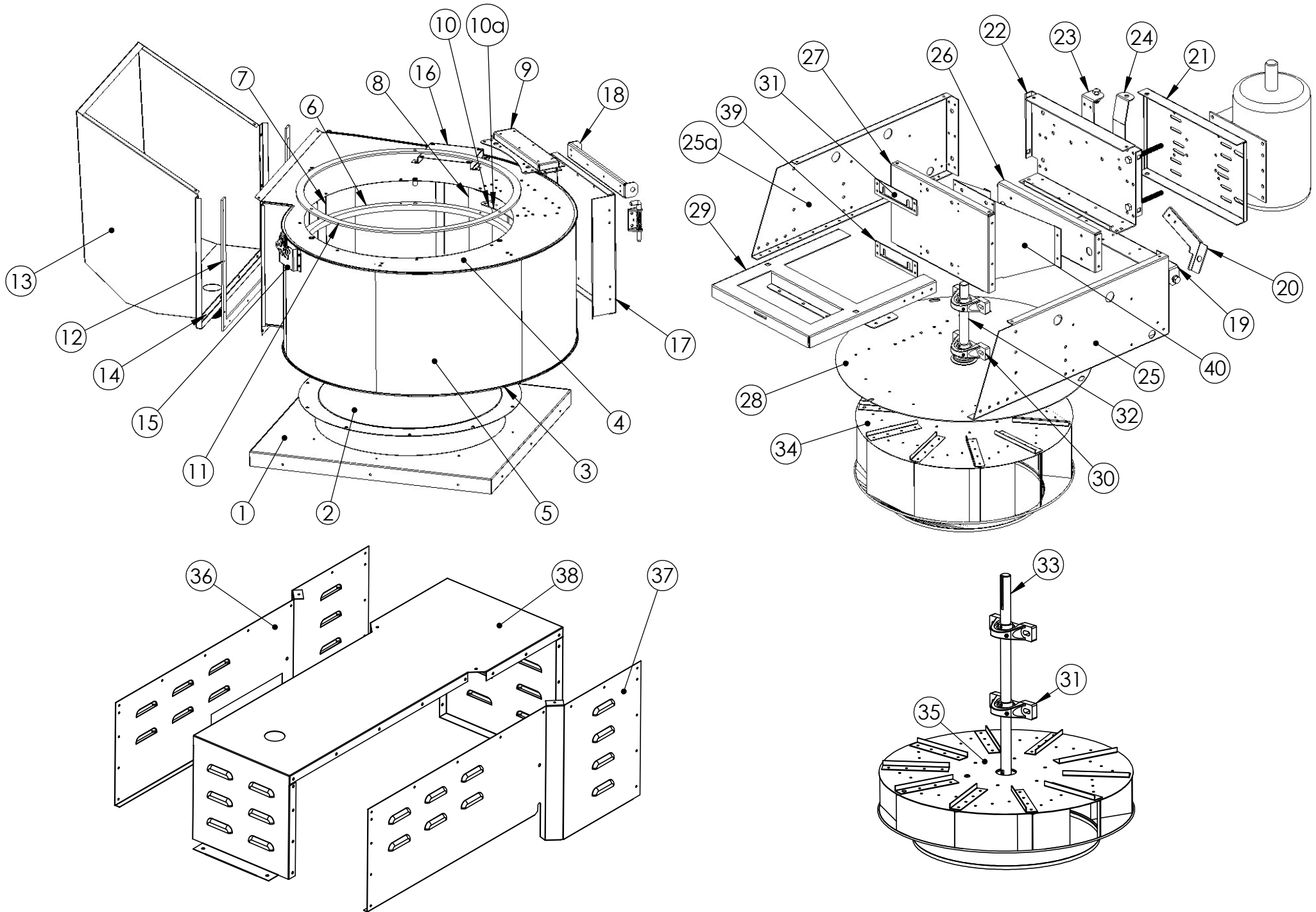
Belt Drive - Curb Mounted Utility Set - Part Information

Item #	Description Of Parts	13 - 13HP	#	15 - 15HP	#	18 - 18HP	#	20 - 20HP	#	24 - 24HP	#
1	Base	F8040013	1	F8040015M	1	F8040018M	1	F8040020	1	F8040024	1
2	Spun Baffle	F5020013M USB1	1	F5020015M USB1	1	F5020018M USB1	1	F5020020M USB1	1	F5020024M USB1	1
3	Bottom Scroll	CASRE13BOTSCROLL	1	CASRE15BOTSCROLL	1	CASRE18BOTSCROLL	1	CASRE20BOTSCROLL	1	CASRE24BOTSCROLL	1
4	Top Scroll	CASRE13TOPSCROLL	1	CASRE15TOPSCROLL	1	CASRE18TOPSCROLL	1	CASRE20TOPSCROLL	1	CASRE24TOPSCROLL	1
5	Wrapper	CASRE13WRAPPER	1	CASRE15WRAPPER	1	CASRE18WRAPPER	1	CASRE20WRAPPER	1	CASRE24WRAPPER	1
6	Scroll Ring	CASRE13SUPRING	1	CASRE15SUPRING	1	CASRE18SUPRING	1	CASRE20SUPRING	1	CASRE24SUPRING	1
7	Scroll Supports A	CASRE13SCROLLSUP	4	CASRE15SCROLLSUP	4	CASRE18SCROLLSUP	4	CASRE20SCROLLSUP	5	CASRE24SCROLLSUPA	4
8	Scroll Supports B					N/A				CASRE24SCROLLSUPB	2
9	Scroll Bracket Plate (Gas Spring)					N/A				CASRE24GASSPRPLATE	1
10	Scroll Bracket Back Plate (Gas Spring)					N/A				CASRE24GASSPRINGBK	1
10a	Scroll Bracket Support Plate (Gas Spring)					N/A				CASRE24GASSPRINGSUP	1
11	Top Scroll Gasket	R10480SX1375	4.5'	R10480SX15375	5.25'	R10480SX18375	6'	R10480SX20375	6.75'	R10480SX24375	7.75'
12	Discharge Scroll Gasket	CASRE13DISGASKETSHEET	1	CASRE15DISGASKETSHEET	1	CASRE18DISGASKETSHEET	1	CASRE20DISGASKETSHEET	1	CASRE24DISGASKETSHEET	1
13	Grease Scoop	CASRE13GRESKOOP	1	CASRE15GRESKOOP	1	CASRE18GRESKOOP	1	CASRE20GRESKOOP	1	CASRE24GRESKOOP	1
14	Grease Scoop Drain	7753K129	1	7753K129	1	7753K129	1	7753K129	1	7753K129	1
15	Latch Plate	CASRE13LATCHPLATE	1	CASRE15LATCHPLATE	1	CASRE18LATCHPLATE	1	CASRE2024LATCHPLATE	1	CASRE2424LATCHPLATE	1
16	Switch Support Plate*	CASRESWITCHSUP	1	CASRESWITCHSUP	1	CASRESWITCHSUP	1	CASRESWITCHSUP	1	CASRESWITCHSUP	1
17	Scroll Plate	CASRE13SCROLLPLATE	1	CASRE15SCROLLPLATE	1	CASRE18SCROLLPLATE	1	CASRE20SCROLLPLATE	1	CASRE24SCROLLPLATE	1
18	Pivot Plate A	CASRE131518MTPVPLTA	1	CASRE131518MTPVPLTA	1	CASRE131518MTPVPLTA	1	CASRE20MTPVPLTA	1	CASRE24MTPVPLTA	1
19	Pivot Plate B	CASRE131518MTPVPLTB	1	CASRE131518MTPVPLTB	1	CASRE131518MTPVPLTB	1	CASRE20MTPVPLTB	1	CASRE24MTPVPLTB	1
20	Lock Plate	CASRELOCKPLATE	1	CASRELOCKPLATE	1	CASRELOCKPLATE	1	CASRELOCKPLATE	1	CASRELOCKPLATE	1
21	Belt Drive Motor Plate	CASRE131518MTPLTBD	1	CASRE131518MTPLTBD	1	CASRE131518MTPLTBD	1	CASRE20MTPLTBD	1	CASRE24MTPLTBD	1
22	End Plate	CASRE131518MTPLTEND	1	CASRE131518MTPLTEND	1	CASRE131518MTPLTEND	1	CASRE20MTPLTEND	1	CASRE24MTPLTEND	1
23	Motor Pivot Plate	CASRE13151820BDPVPT	1	CASRE13151820BDPVPT	1	CASRE13151820BDPVPT	1	CASRE13151820BDPVPT	1	CASRE24BDPVPT	1
24	Motor Pivot Plate Support					N/A				CASRE24BDPVPTSUP	1
25	Motor Plate Side R	CASRE13MTPLTSDR	1	CASRE15MTPLTSDR	1	CASRE18MTPLTSDR	1	CASRE20MTPLTSDRBD	1	CASRE24MTPLTSDRBD	1
25a	Motor Plate Side L	CASRE13MTPLTSDL	1	CASRE15MTPLTSDL	1	CASRE18MTPLTSDL	1	CASRE20MTPLTSDLBD	1	CASRE24MTPLTSDLBD	1
26	Bearing Support Plate					N/A		CASRE20BEARSUPPLATE	1	CASRE24BEARSUPPLATE	1
27	Bearing Plate	CASRE18BEARPLATE**	1	CASRE18BEARPLATE**	1	CASRE18BEARPLATE	1	CASRE20BEARPLATE	1	CASRE24BEARPLATE	1
28	Belt Drive Top Plate	CASRE13TOPPLATEBD	1	CASRE15TOPPLATEBD	1	CASRE18TOPPLATEBD	1	CASRE20TOPPLATEBD	1	CASRE24TOPPLATEBD	1
29	Belt Drive Lifting Handle	CASRE13LIFTHANDLEBD	1	CASRE15LIFTHANDLEBD	1	CASRE18LIFTHANDLEBD	1	CASRE20LIFTHANDLEBD	1	CASRE24LIFTHANDLEBD	1
30	Bearings	UCP205-16-AH-SP4 **	2	UCP205-16-AH-SP4 **	2	UCP205-16-AH-SP4	2	UCP205-16-AH-SP4	2	UCP205-16-AH-SP4	2
31	Bearing Shim Plate	CASRE1315BDSHIM	0-3	CASRE1315BDSHIM	0-3	CASRE182024BDSHIM	0-3	CASRE182024BDSHIM	0-3	CASRE182024BDSHIM	0-3
32	Shaft	F2180013CASRE-M 1*	1	F2180013CASRE-M 1*	1	F2180018CASRE	1	F2180020CASRE	1	F2180024CASRE	1
33	HP Shaft	F2180020CASRE**	1	F2180015SIF**	1	F2180018CASREHP	1	F2180020CASREHP	1	F2180024CASREHP	1
34	Wheel	F8010013H-B & H-1Bushing**	1	F8010015H-B & H-1Bushing**	1	F8010018P1BD & P1-1Bushing	1	F8010020P1BD & P1-1Bushing	1	F8010024P1BD & P1-1Bushing	1
35	HP Wheel	F8010013H-BDHP & H-1Bushing**	1	F8010015H-BDHP & H-1Bushing**	1	F8010018P1BDHP & P1-1Bushing	1	F8010020P1BDHP & P1-1Bushing	1	F8010024P1BDHP & P1-1Bushing	1
36	Motor Cover Side Left	CASRE13WMC SL	1	CASRE15WMC SL	1	CASRE18WMC SL	1	CASRE20WMC SL	1	CASRE24WMC SL	1
37	Motor Cover Side Right	CASRE13WMC SR	1	CASRE15WMC SR	1	CASRE18WMC SR	1	CASRE20WMC SR	1	CASRE24WMC SR	1
38	Motor Cover Top	CASRE13WMC T	1	CASRE15WMC T	1	CASRE18WMC T	1	CASRE20WMC T	1	CASRE24WMC T	1
39	Bearing Location Plate	CASRE18BEARLOC	2	CASRE18BEARLOC	2	CASRE18BEARLOC	2	CASRE2024BEARLOC	2	CASRE2024BEARLOC	2
40	Bearing Back Up Plate					N/A		CASRE20BEARBK SUP	1	CASRE24BEARBK SUP	1

* Switch Support Plate (#16) only used with old disconnect style.

** CASRE13, 15 BD/BDHP with old Disconnect style use (2) **UCP204-12-AH-SP4** bearings (3/4" diameter) and **CASRE1315BEARPLATE** ; Old Shaft & Wheel P/Ns are below:
 CASRE13BD: **F2180013CASRE**, **F8010013**; CASRE13BDHP: **F2180013**, **F8010014BDHP**; CASRE15BD: **F2180015CASRE**, **F8010015**; CASRE15BDHP: **F2180015CASREHP**, **F8010016**

Belt Drive - Curb Mounted - Up Blast Utility Set - 2 of 2

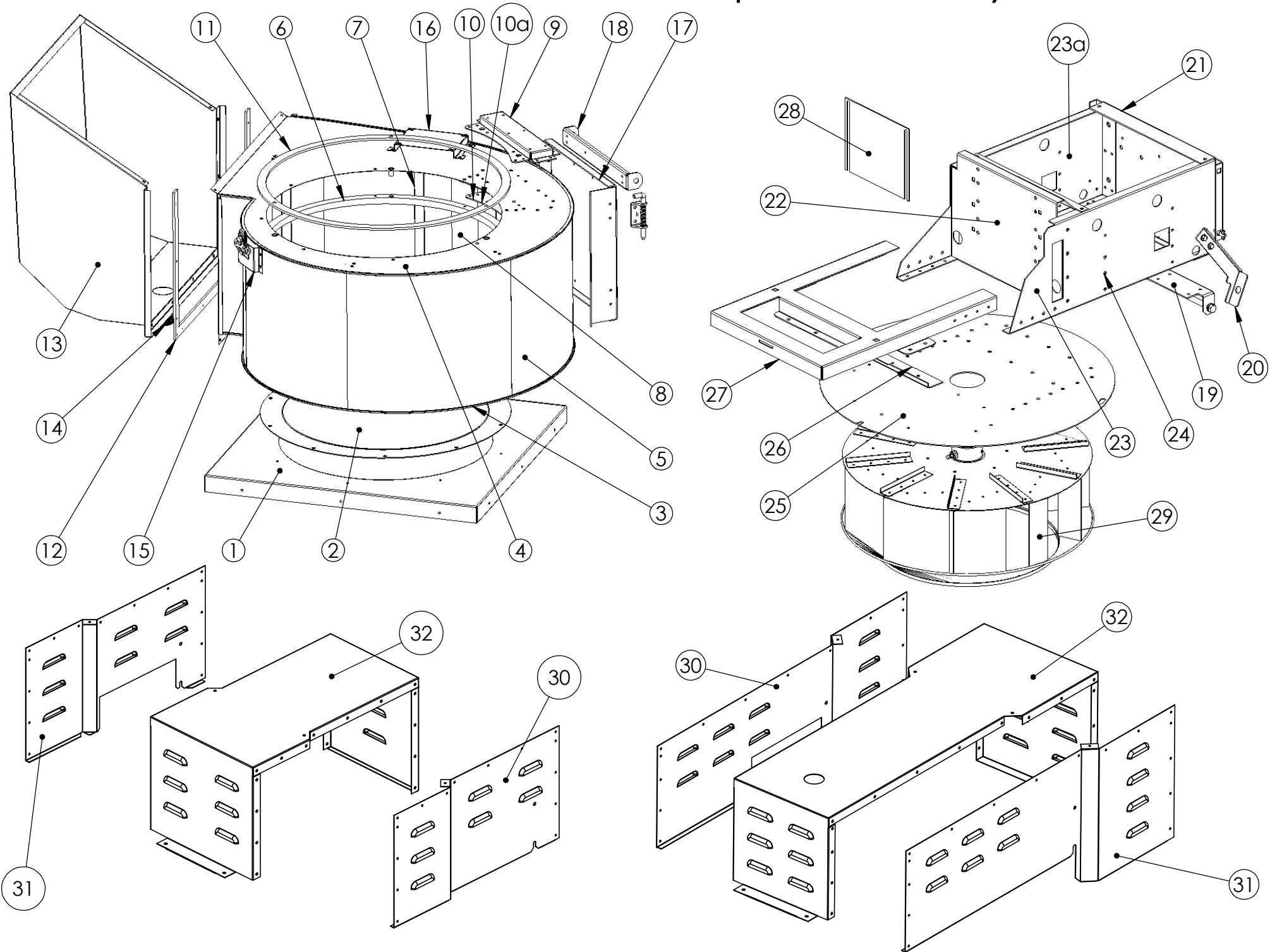


Direct Drive - Curb Mounted - Up Blast Utility Set - 1 of 2

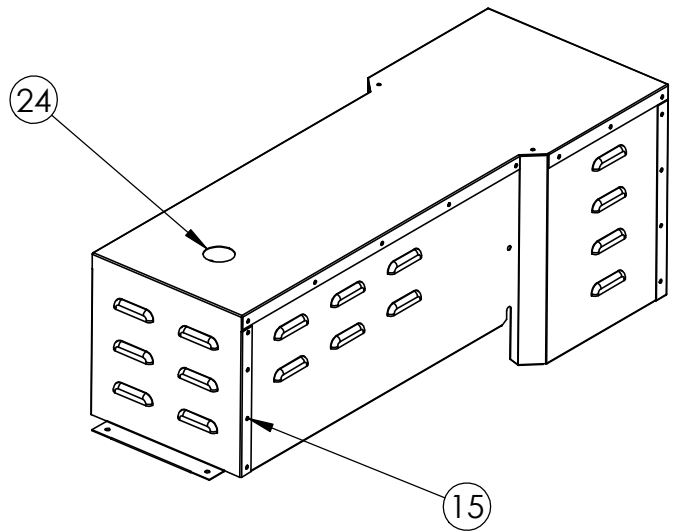
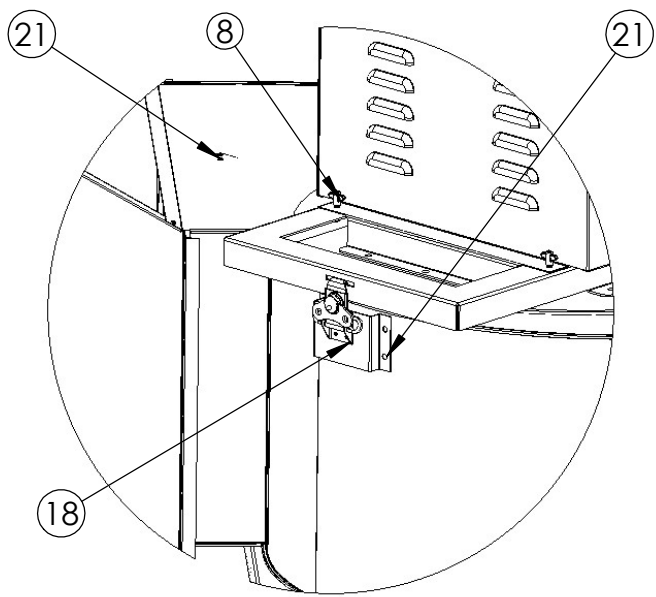
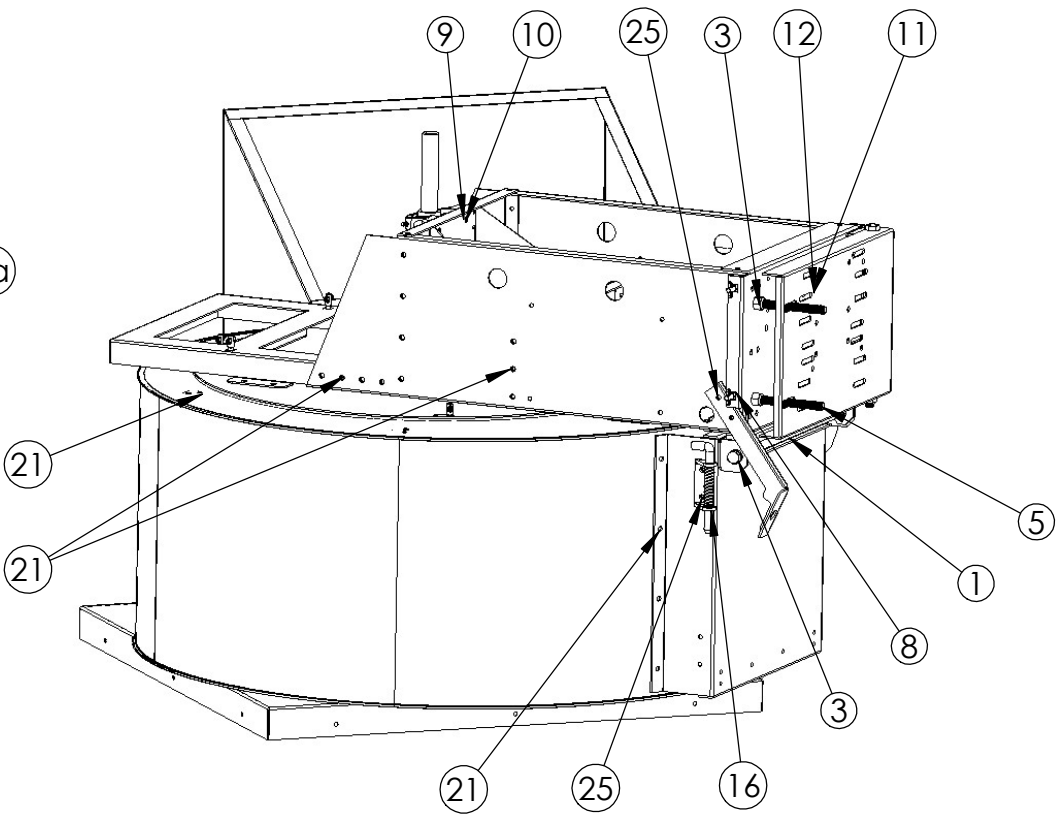
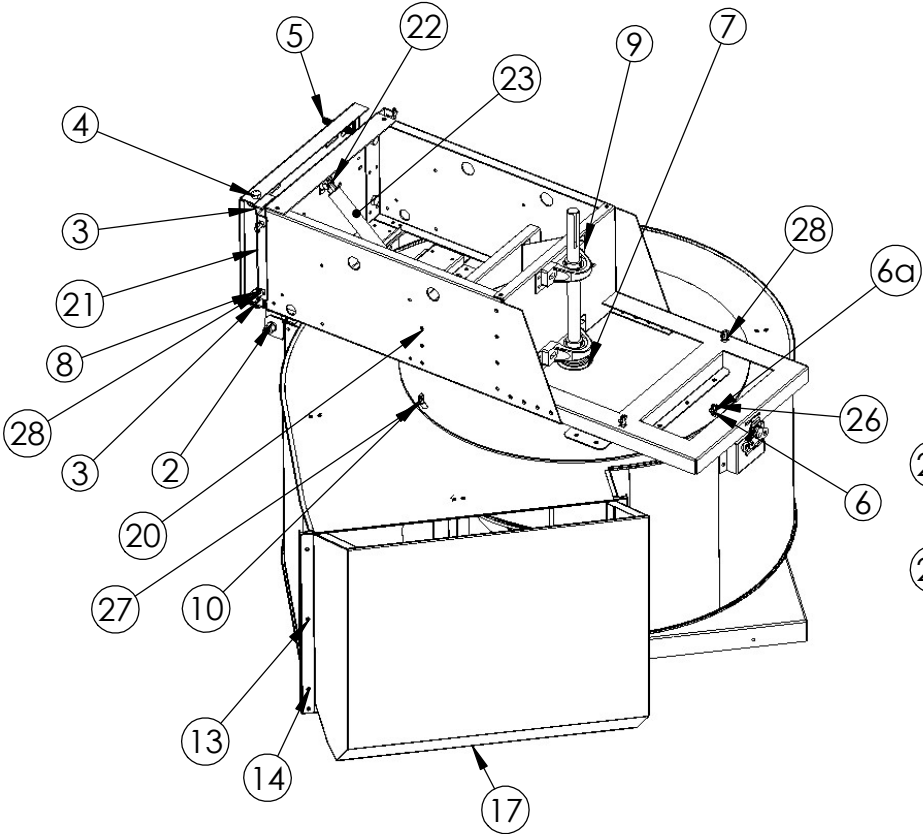
Direct Drive - Curb Mounted Utility Set - Part Information													
Item #	Description Of Parts	1DD	#	3DD	#	5DD	#	8DD	#	20DD	#	24DD	#
1	Base	F80400B	1	F80400B	1	F804005M	1	F804008M	1	F8040020	1	F8040024	1
2	Spun Baffle	F502001MS	1	F502003M USBI	1	F502005M USBI	1	F502008M USBI	1	F5020020M USBI	1	F5020024M USBI	1
3	Bottom Scroll	CASRE3BOTSCROLL	1	CASRE3BOTSCROLL	1	CASRE5BOTSCROLL	1	CASRE8BOTSCROLL	1	CASRE20BOTSCROLL	1	CASRE24BOTSCROLL	1
4	Top Scroll	CASRE3TOPSCROLL	1	CASRE3TOPSCROLL	1	CASRE5TOPSCROLL	1	CASRE8TOPSCROLL	1	CASRE20TOPSCROLL	1	CASRE24TOPSCROLL	1
5	Wrapper	CASRE3WRAPPER	1	CASRE3WRAPPER	1	CASRE5WRAPPER	1	CASRE8WRAPPER	1	CASRE20WRAPPER	1	CASRE24WRAPPER	1
6	Scroll Ring	CASRE3SUPRING	1	CASRE3SUPRING	1	CASRE5SUPRING	1	CASRE8SUPRING	1	CASRE20SUPRING	1	CASRE24SUPRING	1
7	Scroll Supports A	CASRE3SCROLLSUP	4	CASRE3SCROLLSUP	4	CASRE5SCROLLSUP	4	CASRE8SCROLLSUP	4	CASRE20SCROLLSUP	5	CASRE24SCROLLSUPA	4
8	Scroll Supports B	N/A										CASRE24SCROLLSUPB	2
9	Scroll Bracket Plate (Gas Spring)	N/A										CASRE24GASSPRPLATE	1
10	Scroll Bracket Back Plate (Gas Spring)	N/A										CASRE24GASSPRINGBK	1
10a	Scroll Bracket Support Plate (Gas Spring)	N/A										CASRE24GASSPRINGSUP	1
11	Top Scroll Gasket	R 10480SX1X375	4.5'	R 10480SX1X375	4.5'	R 10480SX1X375	5.25'	R 10480SX1X375	6'	R 10480SX1X375	6.75'	R 10480SX1X375	7.75'
12	Discharge Scroll Gasket	CASRE3DISGASKETSHEET	1	CASRE3DISGASKETSHEET	1	CASRE5DISGASKETSHEET	1	CASRE8DISGASKETSHEET	1	CASRE20DISGASKETSHEET	1	CASRE24DISGASKETSHEET	1
13	Grease Scoop	CASRE3GRESKOOP	1	CASRE3GRESKOOP	1	CASRE5GRESKOOP	1	CASRE8GRESKOOP	1	CASRE20GRESKOOP	1	CASRE24GRESKOOP	1
14	Grease Scoop Drain	7753K129	1	7753K129	1	7753K129	1	7753K129	1	7753K129	1	7753K129	1
15	Latch Plate	CASRE3LATCHPLATE	1	CASRE3LATCHPLATE	1	CASRE5LATCHPLATE	1	CASRE8LATCHPLATE	1	CASRE20LATCHPLATE	1	CASRE24LATCHPLATE	1
16	Switch Support Plate*	CASRESWITCHSUP	1	CASRESWITCHSUP	1	CASRESWITCHSUP	1	CASRESWITCHSUP	1	CASRESWITCHSUP	1	CASRESWITCHSUP	1
17	Scroll Plate	CASRE3SCROLLPLATE	1	CASRE3SCROLLPLATE	1	CASRE5SCROLLPLATE	1	CASRE8SCROLLPLATE	1	CASRE20SCROLLPLATE	1	CASRE24SCROLLPLATE	1
18	Pivot Plate A	CASRE3518MTPIVPLTA	1	CASRE3518MTPIVPLTA	1	CASRE3518MTPIVPLTA	1	CASRE3518MTPIVPLTA	1	CASRE20MTPIVPLTA	1	CASRE24MTPIVPLTA	1
19	Pivot Plate B	CASRE3518MTPIVPLTB	1	CASRE3518MTPIVPLTB	1	CASRE3518MTPIVPLTB	1	CASRE3518MTPIVPLTB	1	CASRE20MTPIVPLTB	1	CASRE24MTPIVPLTB	1
20	Lock Plate	CASRELOCKPLATE	1	CASRELOCKPLATE	1	CASRELOCKPLATE	1	CASRELOCKPLATE	1	CASRELOCKPLATE	1	CASRELOCKPLATE	1
21	End Plate	CASRE3518MTPLTEND	1	CASRE3518MTPLTEND	1	CASRE3518MTPLTEND	1	CASRE3518MTPLTEND	1	CASRE20MTPLTEND	1	CASRE24MTPLTEND	1
22	Direct Drive Motor Plate	CASRE3518MTPLTDD	1	CASRE3518MTPLTDD	1	CASRE3518MTPLTDD	1	CASRE3518MTPLTDD	1	CASRE20MTPLTDD	1	CASRE24MTPLTDD	1
23	Motor Plate Side R	CASRE3MTPLTSIDR	1	CASRE3MTPLTSIDR	1	CASRE5MTPLTSIDR	1	CASRE8MTPLTSIDR	1	CASRE20MTPLTSIDRDD	1	CASRE24MTPLTSIDRDD	1
23a	Motor Plate Side L	CASRE3MTPLTSIDLDD	1	CASRE3MTPLTSIDLDD	1	CASRE5MTPLTSIDLDD	1	CASRE8MTPLTSIDLDD	1	CASRE20MTPLTSIDLDD	1	CASRE24MTPLTSIDLDD	1
24	Bearing / Direct Drive Support Plate	N/A										CASRE24BEARSUPPLATE	1
25	Direct Drive Top Plate	CASRE3TOPPLATEDD	1	CASRE3TOPPLATEDD	1	CASRE5TOPPLATEDD	1	CASRE8TOPPLATEDD	1	CASRE20TOPPLATEDD	1	CASRE24TOPPLATEDD	1
26	Direct Drive Seal	CASRE3518SEALDD	1	CASRE3518SEALDD	1	CASRE3518SEALDD	1	CASRE3518SEALDD	1	CASRE20SEALDD	1	CASRE24SEALDD	1
27	Direct Drive Lifting Handle	CASRE3LIFTHANDLEDD	1	CASRE3LIFTHANDLEDD	1	CASRE5LIFTHANDLEDD	1	CASRE8LIFTHANDLEDD	1	CASRE20LIFTHANDLEDD	1	CASRE24LIFTHANDLEDD	1
28	Direct Drive Motor Shim Plate	CASRE3518DDSHIM	0-3	CASRE3518DDSHIM	0-3	CASRE3518DDSHIM	0-3	CASRE3518DDSHIM	0-3	CASRE20DDSHIM	0-3	CASRE24DDSHIM	0-3
29	Wheel	F801001H-B & Motor Bushing	1	F801001H-B & Motor Bushing	1	F801001H-B & Motor Bushing	1	F801001H-B & Motor Bushing	1	F8010020P-1B & Motor Bushing	1	F8010024P-1B & Motor Bushing	1
30	Motor Cover Side Left	CASRE3WMCSLDD	1	CASRE3WMCSLDD	1	CASRE5WMCSLDD	1	CASRE8WMCSLDD	1	CASRE20MTCOVSIIDD	1	CASRE24MTCOVSIIDD	1
31	Motor Cover Side Right	CASRE3WMCSDDD	1	CASRE3WMCSDDD	1	CASRE5WMCSDDD	1	CASRE8WMCSDDD	1	CASRE20MTCOVTPDD	1	CASRE24MTCOVTPDD	1
32	Motor Cover Top	CASRE3WMCSTDD	1	CASRE3WMCSTDD	1	CASRE5WMCSTDD	1	CASRE8WMCSTDD	1				

* Switch Support Plate (#16) only used with old disconnect style.

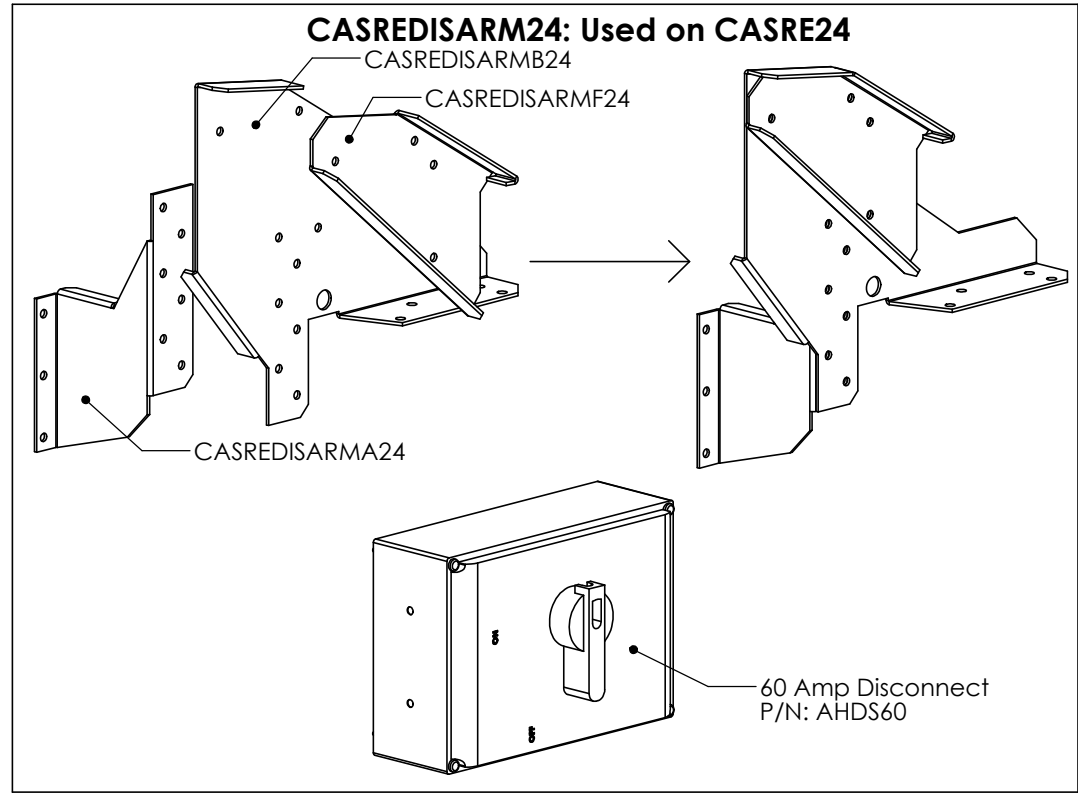
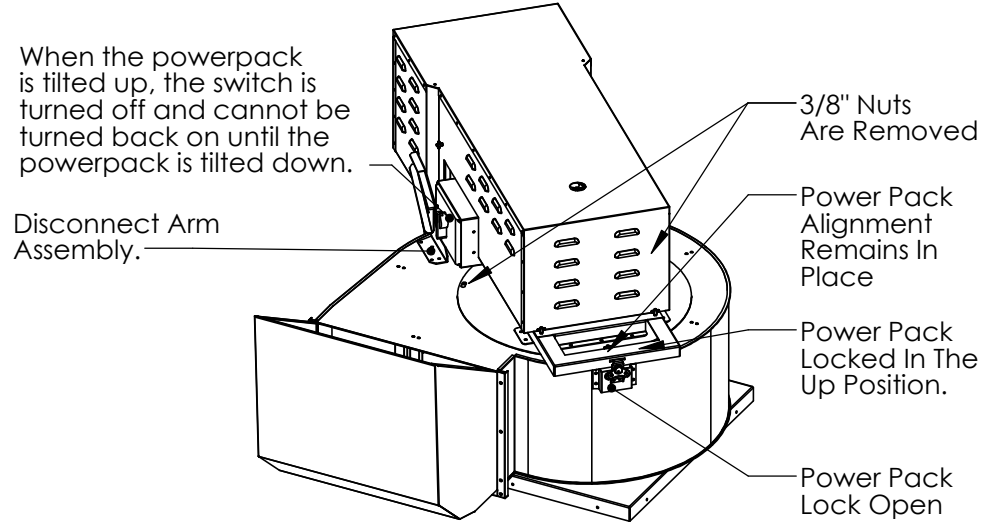
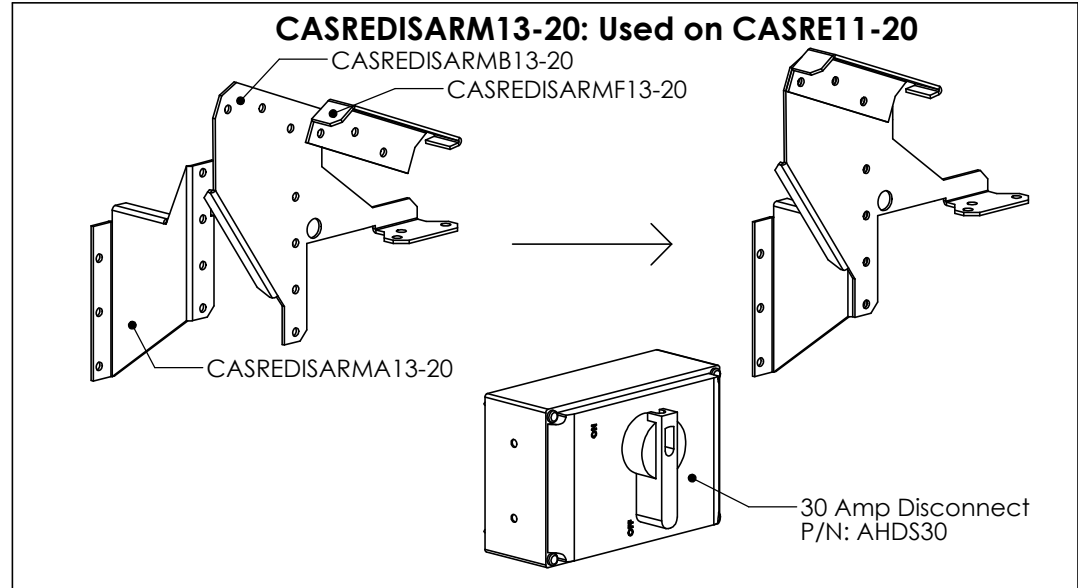
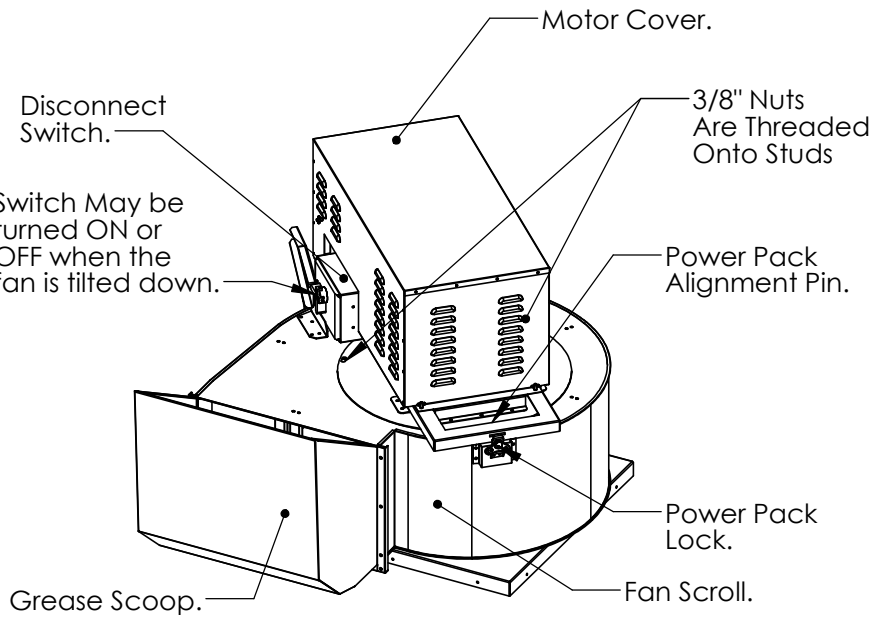
Direct Drive - Curb Mounted - Up Blast Utility Set - 2 of 2



Hardware - Curb Mounted - Up Blast Utility Set - 2 of 2



Disconnect Switch - Curb Mounted - Up Blast Utility Set



Disconnect Parts List

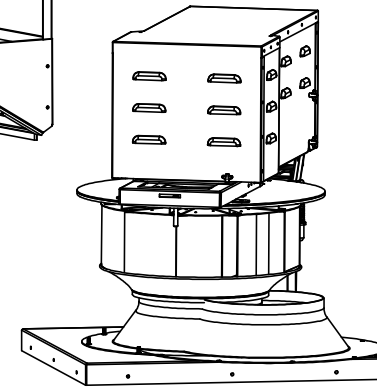
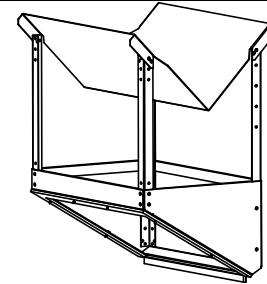
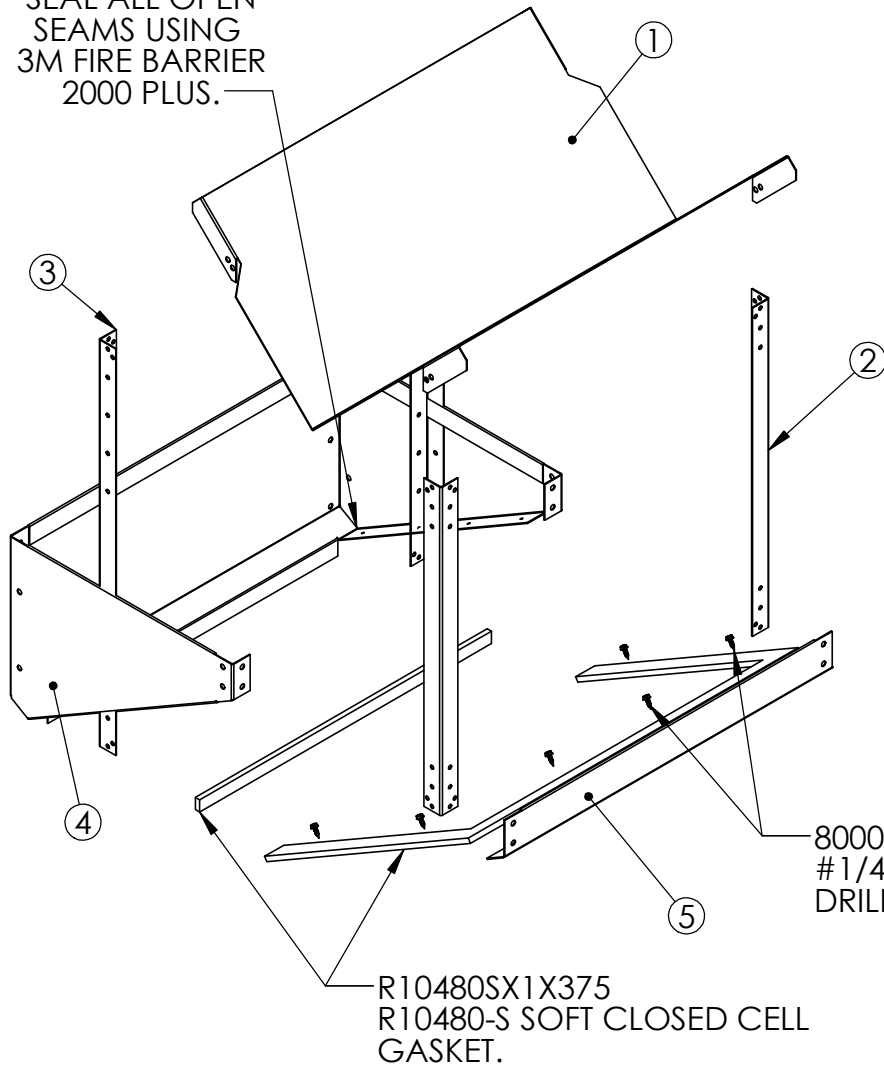
Disconnect Part #s

Size	Motor Cover Assembly	Retro Template	Disconnect	Disconnect Arm Assembly
11DD	CASRE13WMC-DD	CASREDISARMRETRO13	AHDS30	CASREDISARM13-20
13BD	CASRE13WMC-BD	CASREDISARMRETRO13	AHDS30	CASREDISARM13-20
13DD	CASRE13WMC-DD	CASREDISARMRETRO13	AHDS30	CASREDISARM13-20
15BD	CASRE15WMC-BD	CASREDISARMRETRO151820	AHDS30	CASREDISARM13-20
15DD	CASRE15WMC-DD	CASREDISARMRETRO151820	AHDS30	CASREDISARM13-20
18BD	CASRE18WMC-BD	CASREDISARMRETRO151820	AHDS30	CASREDISARM13-20
18DD	CASRE18WMC-DD	CASREDISARMRETRO151820	AHDS30	CASREDISARM13-20
20BD	CASRE20WMC-BD	CASREDISARMRETRO151820	AHDS30	CASREDISARM13-20
20DD	CASRE20WMC-DD	CASREDISARMRETRO151820	AHDS30	CASREDISARM13-20
24BD	CASRE24WMC-BD	CASREDISARMRETRO24	AHDS60	CASREDISARM24
24DD	CASRE24WMC-DD	CASREDISARMRETRO24	AHDS60	CASREDISARM24

Rain Cap Option - Up Blast Utility Set

Utility Set Option - Rain Cap - Assembly		
Size	Part Number	Description
11	RE13RAINCAPASSY	RE13 - RAIN CAP ASSEMBLY OPTION
13	RE13RAINCAPASSY	RE13 - RAIN CAP ASSEMBLY OPTION
15	RE15RAINCAPASSY	RE15 - RAIN CAP ASSEMBLY OPTION
18	RE18RAINCAPASSY	RE18 - RAIN CAP ASSEMBLY OPTION
20	RE20RAINCAPASSY	RE20 - RAIN CAP ASSEMBLY OPTION
24	RE24RAINCAPASSY	RE24 - RAIN CAP ASSEMBLY OPTION

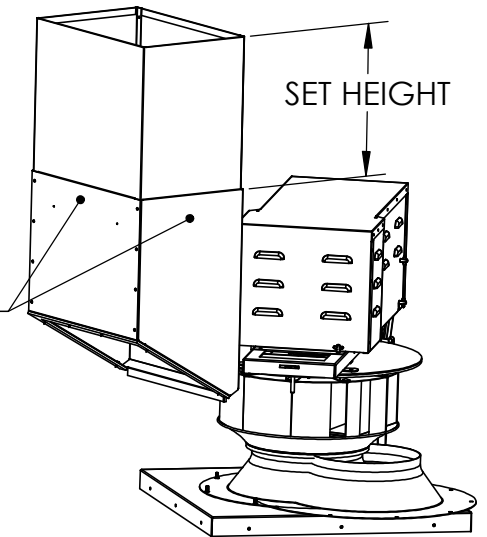
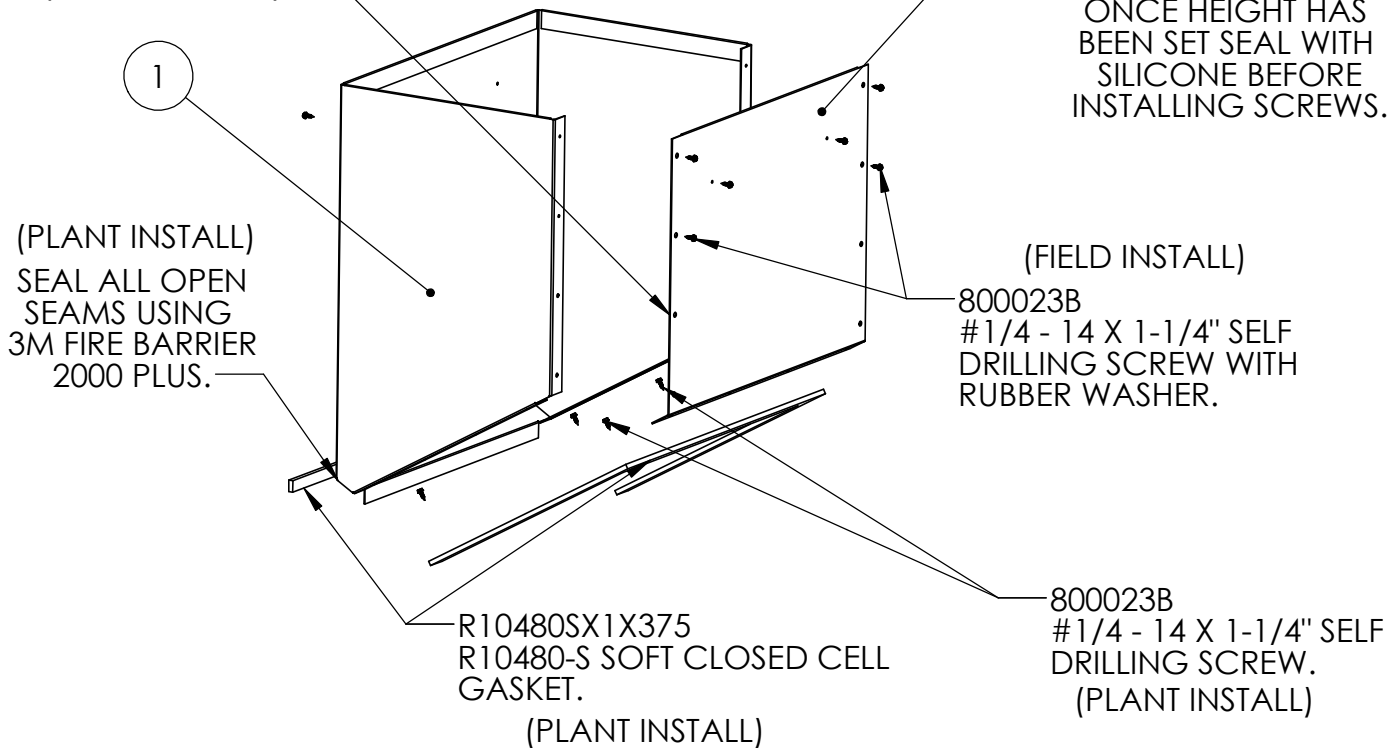
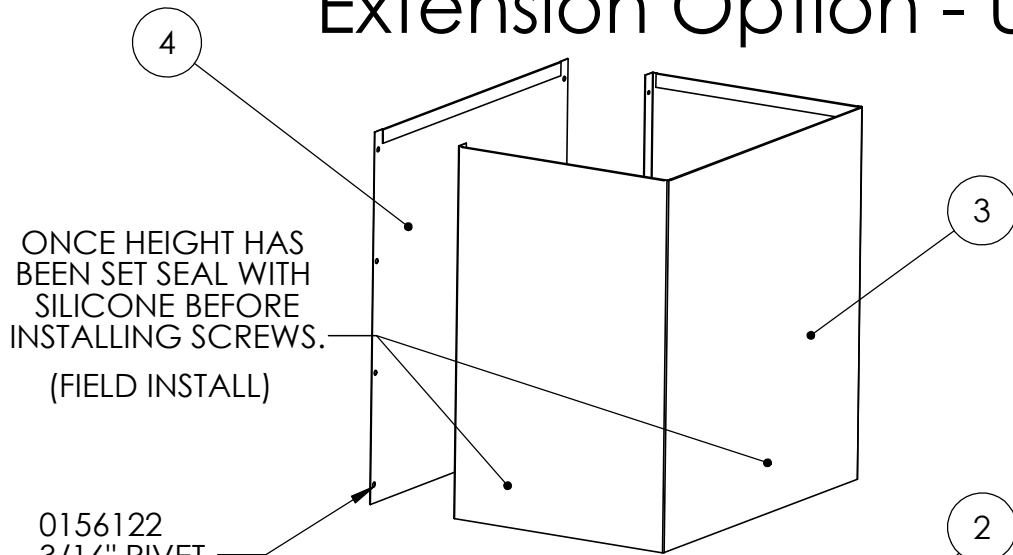
SEAL ALL OPEN SEAMS USING 3M FIRE BARRIER 2000 PLUS.



Utility Set Option - Rain Cap - Part Information

	Size	11		13		15		18		20		24	
		Part Number	Qty	Part Number	Qty	Part Number	Qty	Part Number	Qty	Part Number	Qty	Part Number	Qty
1	Rain Cap Top	CASRE13RAINCAPTOP	1	CASRE13RAINCAPTOP	1	CASRE15RAINCAPTOP	1	CASRE18RAINCAPTOP	1	CASRE20RAINCAPTOP	1	CASRE24RAINCAPTOP	1
2	Rain Cap Front Support	CASRERNCAPFTSUPSM	2	CASRERNCAPFTSUPSM	2	CASRERNCAPFTSUPMD	2	CASRERNCAPFTSUPLG	2	CASRERNCAPFTSUPLG	2	CASRERNCAPFTSUPLG	2
3	Rain Cap Back Support	CASRERNCAPBKSUPSM	2	CASRERNCAPBKSUPSM	2	CASRERNCAPBKSUPSM	2	CASRERNCAPBKSUPMD	2	CASRERNCAPBKSUPMD	2	CASRERNCAPBKSUPMD	2
4	Rain Cap Housing A	CASRE13RAINCAPHA	1	CASRE13RAINCAPHA	1	CASRE15RAINCAPHA	1	CASRE18RAINCAPHA	1	CASRE20RAINCAPHA	1	CASRE24RAINCAPHA	1
5	Rain Cap Housing B	CASRE13RAINCAPHB	1	CASRE13RAINCAPHB	1	CASRE15RAINCAPHB	1	CASRE18RAINCAPHB	1	CASRE20RAINCAPHB	1	CASRE24RAINCAPHB	1

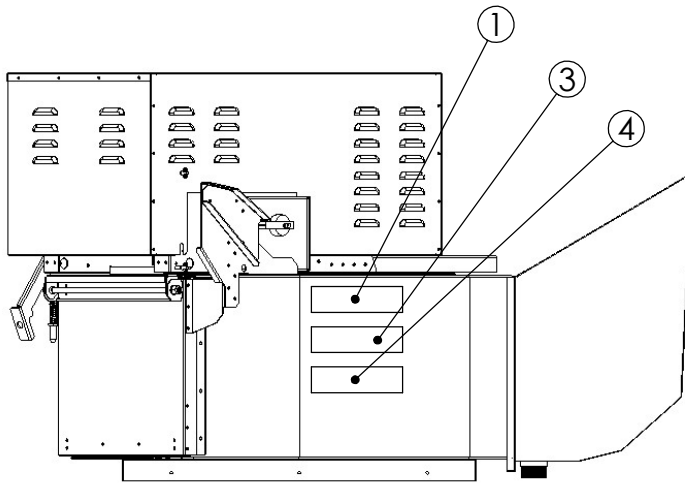
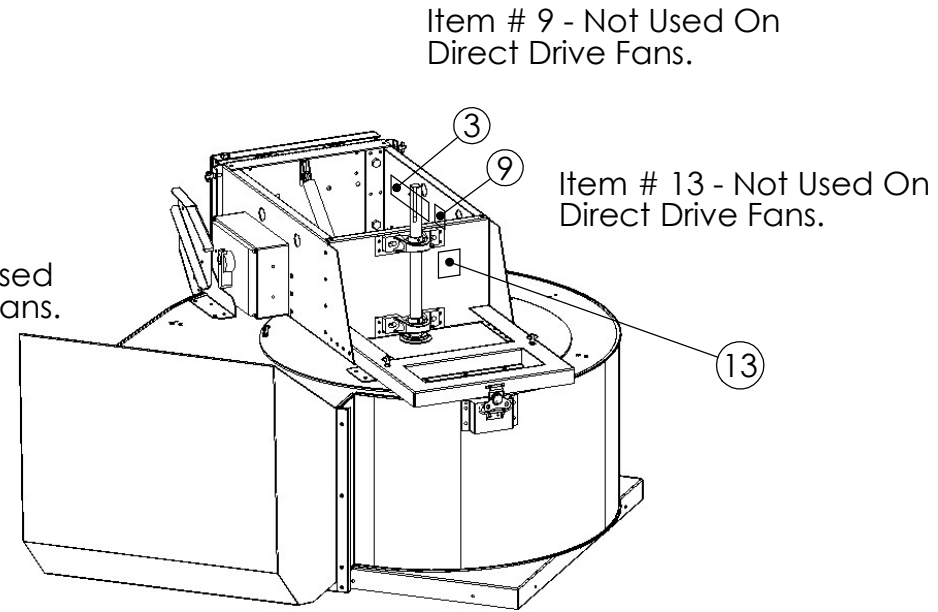
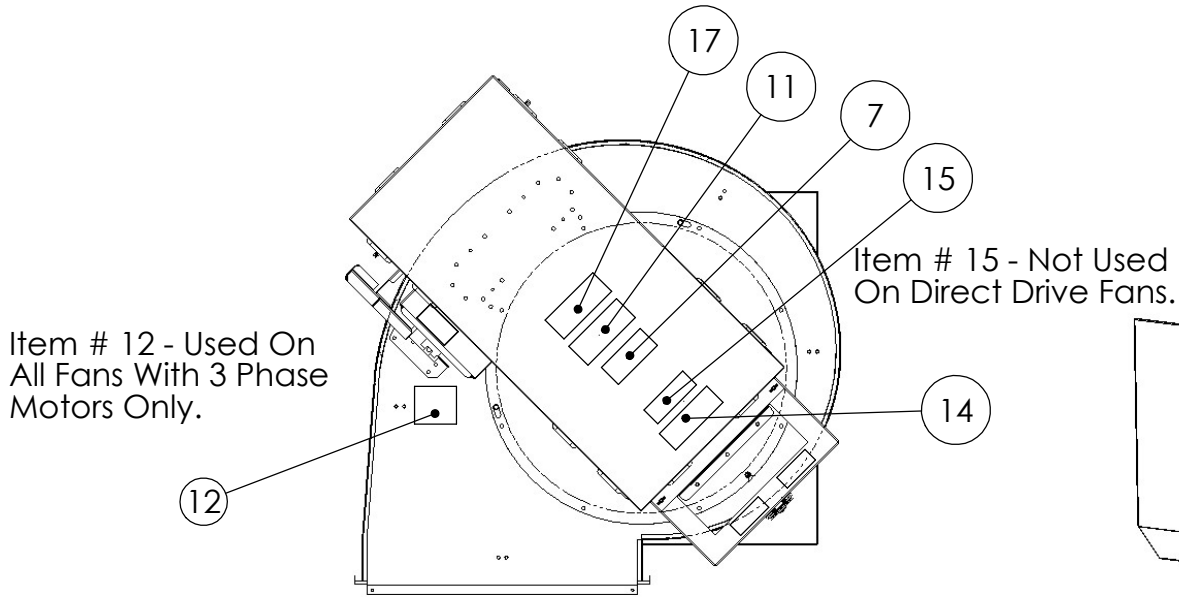
Extension Option - Up Blast Utility Set



Utility Set Option - Extension - Part Information

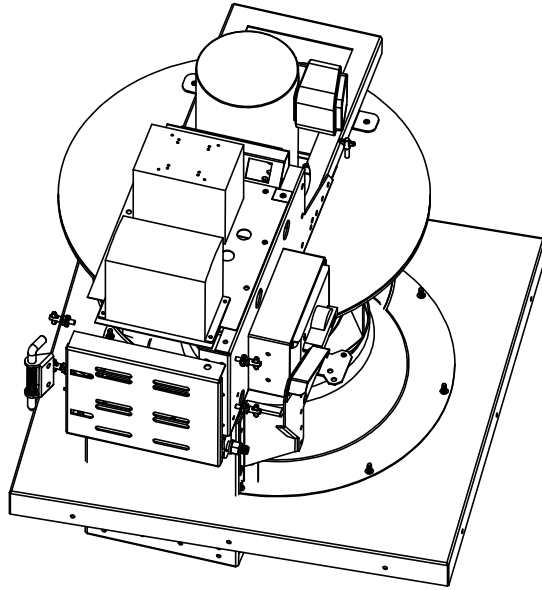
Size		11		13		15		18		20		24	
1	Extension A	CASRE13EXTA	1	CASRE13EXTA	1	CASRE15EXTA	1	CASRE18EXTA	1	CASRE20EXTA	1	CASRE24EXTA	1
2	Extension B	CASRE13EXTB	1	CASRE13EXTB	1	CASRE15EXTB	1	CASRE18EXTB	1	CASRE20EXTB	1	CASRE24EXTB	1
3	Adjustable Extension A	CASRE13ADJEXTA	1	CASRE13ADJEXTA	1	CASRE15ADJEXTA	1	CASRE18ADJEXTA	1	CASRE20ADJEXTA	1	CASRE24ADJEXTA	1
4	Adjustable Extension B	CASRE13ADJEXTB	1	CASRE13ADJEXTB	1	CASRE15ADJEXTB	1	CASRE18ADJEXTB	1	CASRE20ADJEXTB	1	CASRE24ADJEXTB	1

Label Locations - Curb Mounted - Up Blast Utility Set

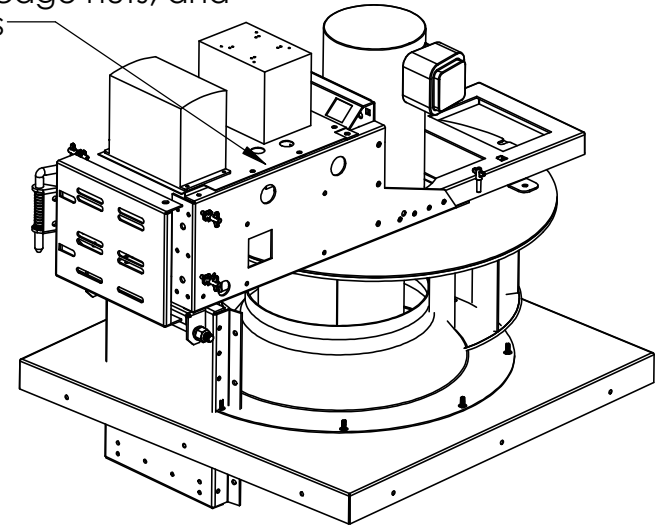


Labels - Curb Mounted Utility Set		
Item #	Label Description	Quantity
1	Name Brand Label	1
3	ETL Label	2
4	AMCA Air & Sound	1
5	QC Passed Label	1
7	Rotation Label CCW	1
9	Belt Size Label	1
11	Loose Items Label	1
12	ATTENTION ! VFD Label	1
13	Bearing Grease Label	1
14	Disconnect Switch Label	1
15	View Port Label	1
16	Turn Disconnect Switch Off Before Lifting	1
17	Lifting Locations Under Motor Cover Label	1

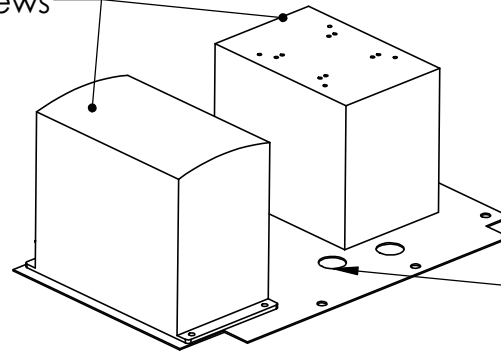
VFD Mount Option - Up Blast Utility Set



VFD Mounting plate gets installed over top power pack assembly using 1/4-20 bolts, cage nuts, and sheet metal screws



VFD and Line Reactor gets mounted to CASREXXDDVFDMT plate with self tapping sheet metal screws

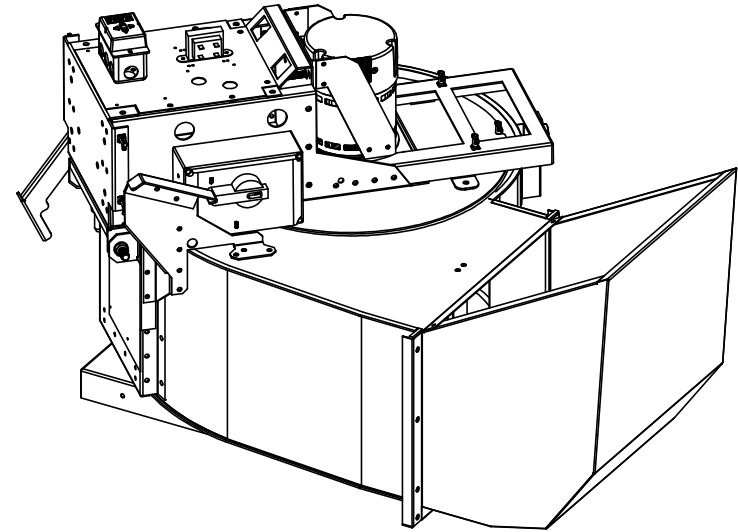
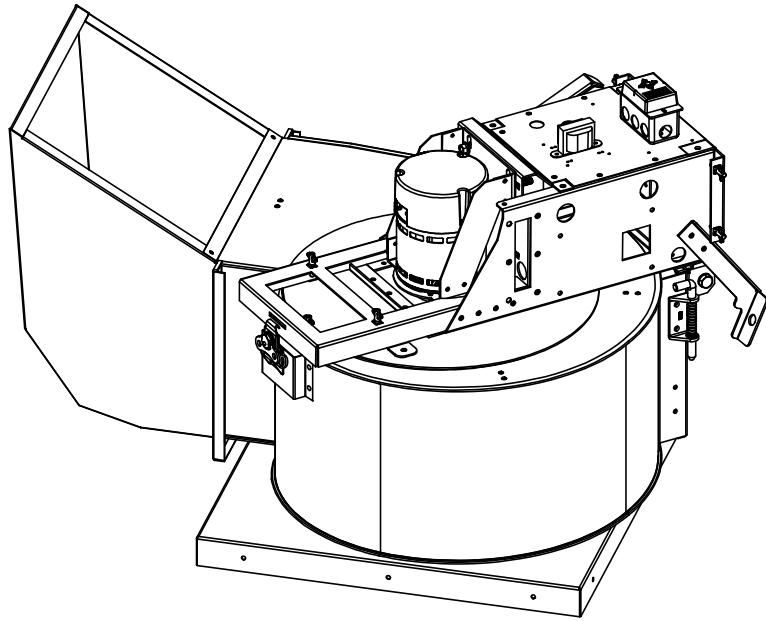


Wiring routes from disconnect up through VFD plate to line reactor or VFD, then back down through VFD plate to motor

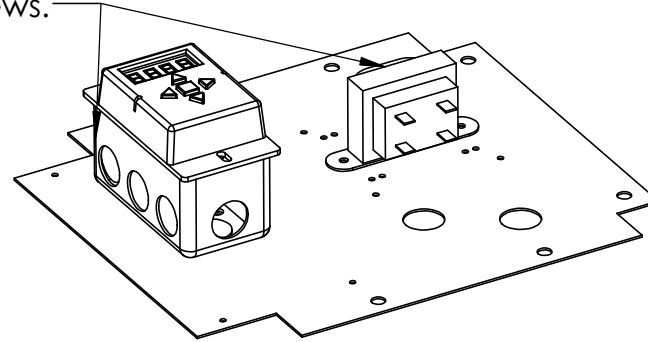
VFD Mounting Instructions

1. Run SO cord from back of disconnect up through VFD plate using conduit connectors on both ends.
2. Run SO cord from motor up through VFD plate using a 7/8" snap bushing.
3. Install VFD plate using 1/4-20 bolts, cage nuts, and sheet metal screws.
4. Install VFD and line reactor on top of VFD plate using sheet metal screws.
5. If using a line reactor, run wires from disconnect to line reactor. Run SO cord from line reactor to VFD using conduit connector.
6. Connect SO cord from the motor to the VFD using conduit connector.

ECM Installation - Up Blast Utility Set



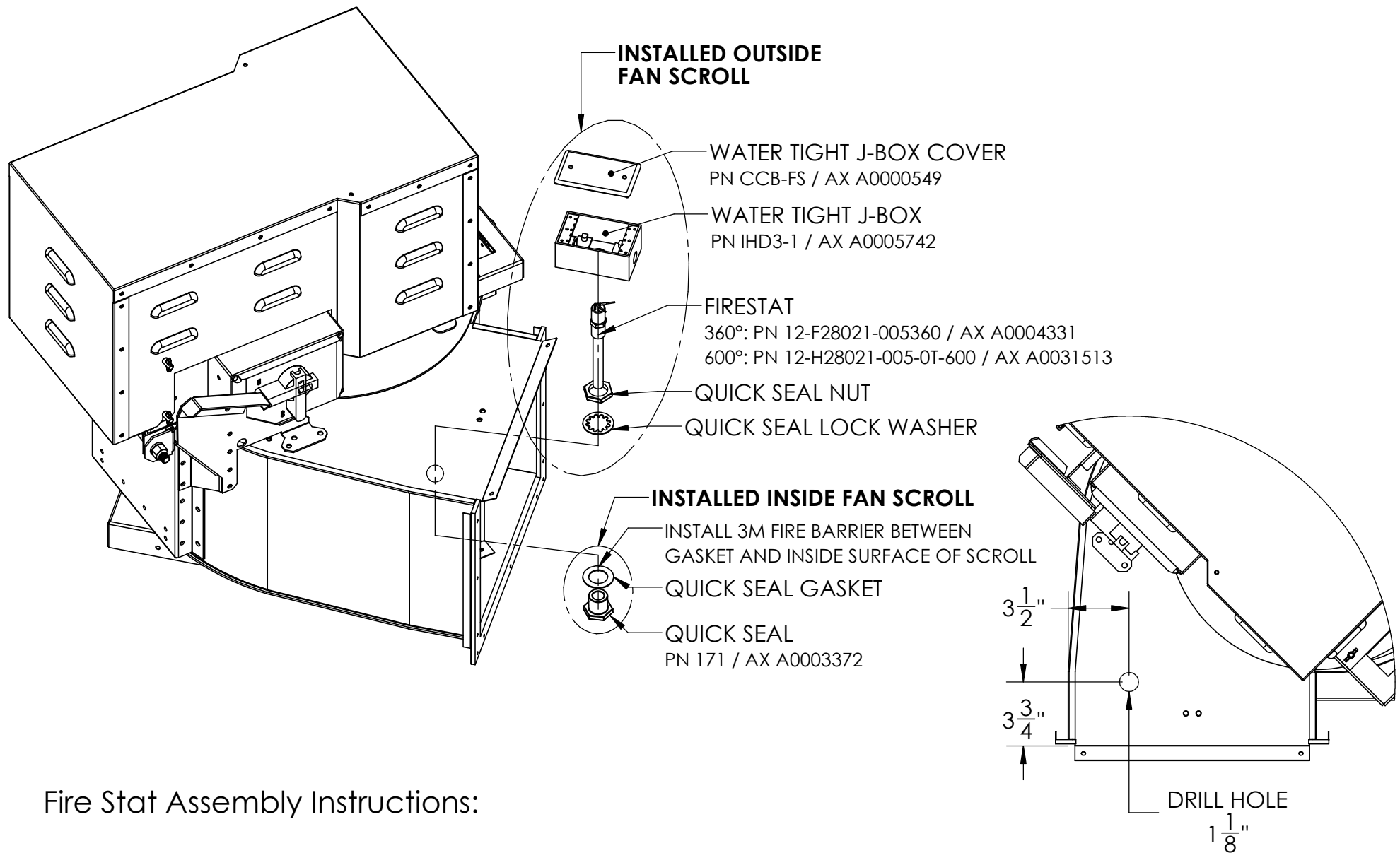
Install Junction box and transformer using sheet metal screws.



ECM Installation Instructions

1. Install nuts on motor face bolts to act as a spacer between motor face and adapter plate.
2. Install motor on motor adapter base plate using nuts on the motor through bolts.
3. Install VFD mounting plate with cage nuts.
4. Bolt 48 frame adapter to the motor plate using 3/8" hardware.
5. Install the wheel on the motor and adjust the height of the wheel to overlap the inlet by 1/4". Tighten the bolts on the adapter plate to secure the motor/ wheel.
6. Install junction box and transformer on VFD plate using sheet metal screws in locations shown above.
7. Run SO cord from back of disconnect up through VFD plate hole directly into the bottom of the junction box using conduit connector.
8. Run ECM harness from motor up through VFD mount using 7/8" snap bushing.
9. Install VFD plate to top of power pack using 1/4-20 bolts, cage nuts, and sheet metal screws.
10. Connect ECM harness to transformer and run to junction box using 7/8" snap bushing.
11. Install the controller on the junction box.

Fire Stat Installation - Up Blast Utility Set



Fire Stat Assembly Instructions:

1. Drill a pilot hole in the scroll 3 $\frac{1}{2}$ " from the edge and 3 $\frac{3}{4}$ " from the discharge flange.
2. Cut a 1- $\frac{1}{8}$ " hole through the scroll at the pilot hole location using a hole saw.
3. De-burr the hole.
4. Install the Quick Seal, Firestat, and Water Tight J-Box as shown above.